

SKU NUMBER#: 662187525846

## VIGOROUS LED SPORTS LIGHT

**POWER: 400 W | CCT: 4000 K | COLOR: Black**


### Product Description:

Rlux Vigorous LED Sports Light is made of aluminum alloy composition and has a rugged die-cast design with integrated cooling fans, all of which ensure optimum heat dissipation. The product supports a multi-faceted optic design which not only helps distribute light evenly but also reduces glare. With seamless link of aerometal materials and numerous vents on the heat sink, Vigorous offers improved heat management and a stable light system, making it a perfect choice for all kinds of outdoor stadiums.

### Features:

- Superior aesthetics with a modern look.
- Excellent heat management system courtesy of multiple vents.
- 240° adjustable angle.
- Multi-faceted optic design to distribute light evenly and reduce glare.
- Inputs voltage range: 100 - 277 / 277 - 480 V, 50 - 60 Hz.

### Ordering Information

| Part Number | Fixture Type | Dimming | Wattage | CCT | Voltage | CRI | Light Distribution | Internal |
|-------------|--------------|---------|---------|-----|---------|-----|--------------------|----------|
| 50          | XX           | D       | YYYYW   | C   | V       | R   | X                  | Y        |

Series Code

| Model Number    | Wattage | CCT Optional | CRI | Efficacy   | Lens Type |
|-----------------|---------|--------------|-----|------------|-----------|
| 5001D0400WCVRXY | 400 W   | 4000 K       | 80+ | 156.4 lm/W | PC Lens   |

### Fixture Details

#### Electrical

|                                 |           |
|---------------------------------|-----------|
| Power                           | 400 W     |
| Voltage                         | 277-480 V |
| Current                         | 0.83 A    |
| Power Factor                    | 0.998     |
| Total Harmonic Distortion (THD) | 12.5%     |
| Surge Protection                | 6 kV      |

#### Construction

|                                |                      |
|--------------------------------|----------------------|
| Housing                        | Die-cast Aluminum    |
| Cover Material / Lens          | PC Lens              |
| Base / Power Supply            | Sosen                |
| Finish                         | Black                |
| Effective Projected Area (EPA) | 1.59 ft <sup>2</sup> |
| Number of LEDs                 | 704                  |
| Wind Shear Rating              | 127.5 mph            |

#### LifeSpan

|                      |          |
|----------------------|----------|
| Average Life (Hours) | 1,00,000 |
| Warranty (Years)     | 5        |

#### Lighting Performance

|                           |                                    |
|---------------------------|------------------------------------|
| Lumens                    | 62560 lm                           |
| Efficacy                  | 156.4 lm/W                         |
| Color Temperature (CCT)   | 4000 K                             |
| Color Rendering (CRI)     | 73.7                               |
| Beam Angle                | 30°                                |
| Light Distribution        | Type I, Very Short                 |
| PCB Thickness             | 0.6 mm                             |
| Typical LED Lumen         | 140 lm                             |
| Dimmable Lighting Control | Continuous Dimming to 10% or Below |

#### Components

|                  |          |
|------------------|----------|
| LED Light Source | LUMILEDS |
| Driver           | Sosen    |

#### Environment

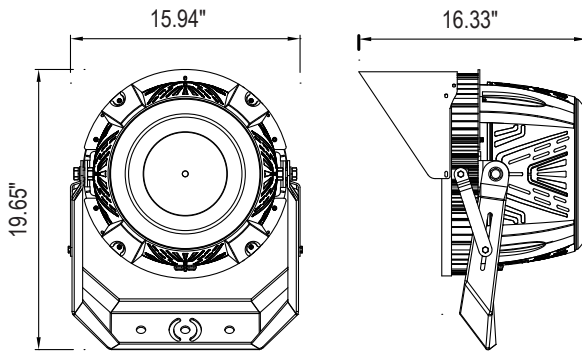
|                                |                  |
|--------------------------------|------------------|
| Operating Temperature          | -22 °F ~ +122 °F |
| Ingress Protection Rating (IP) | IP66             |
| Impact Protection Rating       | IK10             |

**Fixture Dimension**

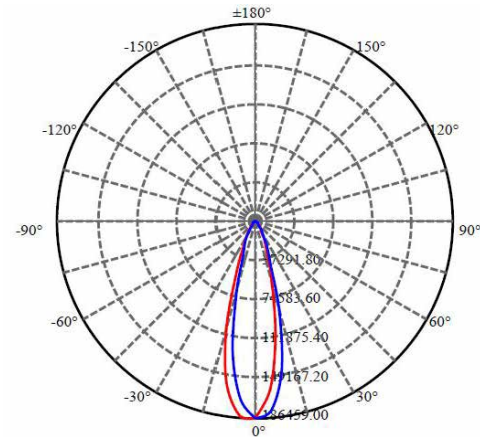
|                   |        |
|-------------------|--------|
| Width (Inches)    | 16.33" |
| Height (Inches)   | 19.65" |
| Diameter (Inches) | 15.94" |
| Net Weight (lbs)  | 27.55  |

**Packaging Dimension**

|                         |                          |
|-------------------------|--------------------------|
| Box Dimensions (Inches) | 17.71" x 17.71" x 13.97" |
| Box Weight (lbs)        | 31.96                    |
| Quantity Per Box        | 1                        |


**Qualifications**

|              |                 |
|--------------|-----------------|
| Model Number | 5001D0400WCVRXY |
| SKU Number   | 662187525846    |


**Optometric Data**
**400 W**

**Accessories**

INCLUDE IN THE BOX

|              |                |
|--------------|----------------|
| 662187526065 | Shield         |
| 662187526072 | Yoke Mount Kit |

SOLD SEPARATELY

|              |                                 |
|--------------|---------------------------------|
| 662187526089 | Slip Fitter Mounting Bracket    |
| 662187526096 | Laser Aiming Device             |
| 662187526102 | Synapse-Wireless Control System |