

SKU NUMBER#: 662187523576

STELLA LED SHOEBOX

POWER: 300W | CCT: 4000 K | Driver: Inventronics



Product Description:

The RLUX STELLA LED SHOEBOX is offered in a variety of wattages allowing for maximum flexibility in all types of applications. The high output LEDs, and custom engineered optics provide excellent uniformity and efficiency, meeting DLC qualifications.

Features:

- Sleek and modern aesthetics combined with rugged construction.
- In-built surge protection mechanism (6KV).
- Superior thermal dissipation from an integrated heat sink.
- Various optics options are available.
- Made from prime-grade aluminum alloy.

Ordering Information

Part Number	Fixture Type	Dimming	Wattage	CCT	Voltage	CRI	Light Distribution	Internal
4	XX	X	YYYYW	C	V	R	X	Y

Series Code

Model Number	Wattage	CCT Optional	CRI	Efficacy	Lens Type
402D0300WCVRXY	300 W	4000 K	70+	150 lm/W	Type 3

Fixture Details

Electrical

Power	300 W
Voltage	100 - 277 V
Current	6 A
Power Factor	> 0.95
Total Harmonic Distortion (THD)	8.31%
Surge Protection	10 kV

Construction

Housing	Aluminum
Optics Material / Lens	Polycarbonate
Base / Power Supply	Hard Wired / Surge Protector
Heat Sink Type	High Pressure Die Cast
Finish	Bronze
Effective Projected Area (EPA)	0.23 sq ft
Number of LEDs	464
Wind Shear Rating	117 mph

LifeSpan

Average Life (Hours)	1,00,000
Warranty (Years)	5

Lighting Performance

Lumens	45000 lm
Efficacy	150 lm/W
Color Temperature (CCT)	4000 K
Color Rendering (CRI)	70+
Beam Angle	135.1°
Light Distribution	Type 3
PCB Thickness	1.2 mm
Typical LED Lumen	152 lm
Dimmable Lighting Control	Continuous Dimming to 10% or Below (0-10 V)

Components

LED Light Source	Bridgelux 3030 W Package 1 W
Driver	Inventronics

Environment

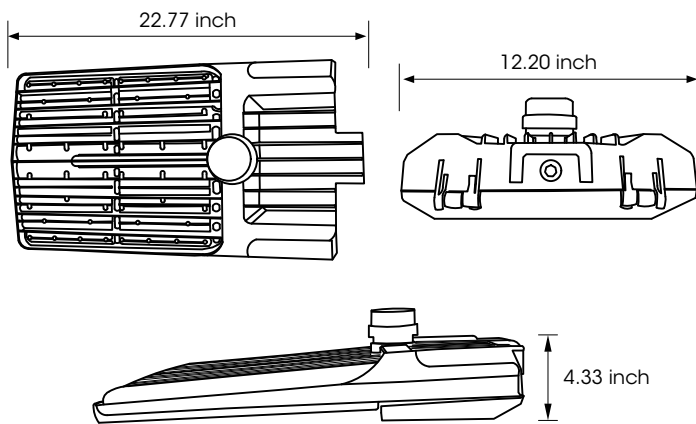
Operating Temperature	-40° F ~ 131° F
Ingress Protection Rating (IP)	IP66
Impact Protection Rating	IK10

Fixture Dimension (inch)

Length	22.77
Width	12.20
Height	4.33
Net Weight (lbs)	14.29
Gross Weight (lbs)	16.41

Packaging Dimension

Box Dimensions (inch)	25.98 x 13.77 x 5.70
Box Weight (lbs)	1.78
Quantity Per Box	1



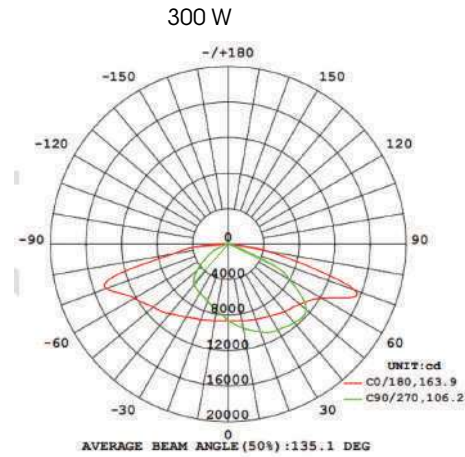
Qualifications

Model Number	402D0300WCVRXY
SKU Number	662187523576



DesignLights Consortium® (DLC) Premium qualified product. Not all versions of this product may be DLC qualified. Please check the DLC Qualified Products List at www.designlights.org/QPL to confirm which versions are qualified.

Optometric Data



Mounting Brackets (Choice of one Mounting Bracket is included with the order)

662187525167	A - Slip Fitter (BRONZE)	1
662187525174	B - Square & Round (BRONZE)	1
662187525181	C - Trunion Fitter (BRONZE)	1

Accessories (Choice of one Shorting Cap or Photocell is included with the order)

662187525198	Shorting Cap (90-277 V) Low Voltage	1
662187525204	Photocell (90-277 V) Low Voltage	1

Additional Information:

- The mounting bracket is not included with the fixtures, it is ordered as separate item number.
- Product requires top-mounted shorting cap or optional twist-lock photocell installed to operate.