

SKU NUMBER#: 662187525457

# STELLA LED SHOEBOX

POWER: 185W | CCT: 5000 K | Driver: Inventronics



## Product Description:

The RLUX STELLA LED SHOEBOX is offered in a variety of wattages allowing for maximum flexibility in all types of applications. The high output LEDs, and custom engineered optics provide excellent uniformity and efficiency, meeting DLC qualifications.

## Features:

- Sleek and modern aesthetics combined with rugged construction.
- In-built surge protection mechanism ( 6KV ).
- Superior thermal dissipation from an integrated heat sink.
- Various optics options are available.
- Made from prime-grade aluminum alloy.

## Ordering Information

Part Number	Fixture Type	Dimming	Wattage	CCT	Voltage	CRI	Light Distribution	Internal
4	XX	X	YYYYW	C	V	R	X	Y

Series Code

Model Number	Wattage	CCT Optional	CRI	Efficacy	Lens Type
401D0185WCVRXY	185 W	5000 K	70+	145 lm/W	Type 3

## Fixture Details

### Electrical

Power	185 W
Voltage	100 - 277 V
Current	3.4 A
Power Factor	> 0.95
Total Harmonic Distortion (THD)	10.47%
Surge Protection	10 kV

### Construction

Housing	Aluminum
Optics Material / Lens	Polycarbonate
Base / Power Supply	Hard Wired / Surge Protector
Heat Sink Type	High Pressure Die Cast
Finish	Bronze
Effective Projected Area (EPA)	0.23 sq ft
Number of LEDs	232
Wind Shear Rating	117 mph

### LifeSpan

Average Life (Hours)	1,00,000
Warranty (Years)	5

### Lighting Performance

Lumens	26825 lm
Efficacy	145 lm/W
Color Temperature (CCT)	5000 K
Color Rendering (CRI)	70+
Beam Angle	135.1°
Light Distribution	Type 3
PCB Thickness	1.2 mm
Typical LED Lumen	152 lm
Dimmable Lighting Control	Continuous Dimming to 10% or Below (0-10 V)

### Components

LED Light Source	Bridgelux 3030 W Package 1 W
Driver	Inventronics

### Environment

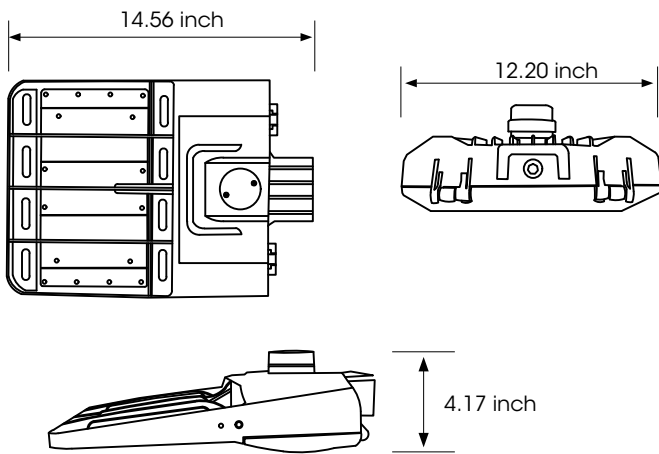
Operating Temperature	-40° F ~ 131° F
Ingress Protection Rating (IP)	IP66
Impact Protection Rating	IK10

### Fixture Dimension (inch)

Length	14.56
Width	12.20
Height	4.17
Net Weight (lbs)	8.81
Gross Weight (lbs)	10.73

### Packaging Dimension

Box Dimensions (inch)	18.11 x 13.77 x 5.70
Box Weight (lbs)	1.75
Quantity Per Box	1



### Qualifications

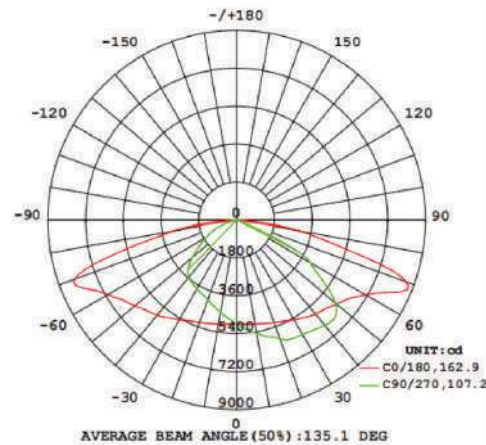
Model Number	401D0185WCVRXY
SKU Number	662187525457



DesignLights Consortium® (DLC) Premium qualified product. Not all versions of this product may be DLC qualified. Please check the DLC Qualified Products List at [www.designlights.org/QPL](http://www.designlights.org/QPL) to confirm which versions are qualified.

### Optometric Data

185 W



### Mounting Brackets (Choice of one Mounting Bracket is included with the order)

662187525167	A - Slip Fitter (BRONZE)	1
662187525174	B - Square & Round (BRONZE)	1
662187525181	C - Trunion Fitter (BRONZE)	1

### Accessories (Choice of one Shorting Cap or Photocell is included with the order)

662187525198	Shorting Cap (90-277 V) Low Voltage	1
662187525204	Photocell (90-277 V) Low Voltage	1

### Additional Information:

- The mounting bracket is not included with the fixtures, it is ordered as separate item number.
- Product requires top-mounted shorting cap or optional twist-lock photocell installed to operate.